

EVI-28MB

Mounting Bracket Kit

- Mounting kit for EVI-28 speakers
- May be used in conjunction with OmniMount® Series 100 support system¹
- Allows suspension of EVI-28 speakers from the ceiling or wall
- Available in black or white

Description

The EVI-28MB mounting bracket kit consists of a 10-gauge, cold-rolled-steel U-bracket, two friction pads and two washers. The kit is specifically designed for ceiling or wall mounting of the EVI-28 speaker system. The EVI-28MB mounting bracket kit may be used in conjunction with the OmniMount® Series 100 support system.¹ The EVI-28MB allows each system to rotate around its enclosure mounting centers, permitting angular adjustment after mounting. The EVI-28MB allows the EVI-28 speaker to be mounted in almost any position so as to obtain the desired sound coverage.

Mounting Location Selection and Preparation

The EVI-28MB U-brackets should be attached to the mounting surface before the system is secured to the brackets. The fasteners required to affix the bracket to the mounting surface will need to be selected by the user to fit the particular installation.

Mounting Instructions

Refer to Figure 1 for the following steps.

1. Remove the paper backing from one of the friction pads (4) and attach to the U-bracket (1) as shown. Be sure the two holes are aligned. Attach the second friction pad in a similar manner.
2. Attach the U-bracket to the wall or ceiling using fasteners (not supplied) that are suitable for the construction material.
3. Using the 3/8-inch bolts mounted to the EVI-28, assemble as shown in Figure 1.
4. Position the speaker for desired coverage. The maximum rotation from horizontal that may be reached is approximately 35° (see Figure 2).
5. Tighten the screws sufficiently so that the speaker does not inadvertently rotate. Use a 3/8-24 set screw through the hole shown in Figure 3 to lock the speaker in place for a permanent installation.

CAUTION:

Due to the weight of the EVI-28 enclosure, it is imperative that the EVI-28MB bracket be properly secured to the wall or ceiling. The choice of fastener (not provided with bracket kit) will be determined by the material and construction of the mounting surface.

Uniform Limited Warranty Statement

Electro-Voice products are guaranteed against malfunction due to defects in materials or workmanship for a specified period, as noted in the individual product-line statement(s) below, or in the individual product data sheet or owner's manual, beginning with the date of original purchase. If such malfunction occurs during the specified period, the product will be repaired or replaced (at our option) without charge. The product will be returned to the customer prepaid. **Exclusions and Limitations:** The Limited Warranty does not apply to: (a) exterior finish or appearance; (b)

EVI-28MB Installation Kit

EVI-28MB Installation Kit

certain specific items described in the individual product-line statement(s) below, or in the individual product data sheet or owner's manual; (c) malfunction resulting from use or operation of the product other than as specified in the product data sheet or owner's manual; (d) malfunction resulting from misuse or abuse of the product; or (e) malfunction occurring at any time after repairs have been made to the product by anyone other than Electro-Voice Service or any of its authorized service representatives. **Obtaining Warranty Service:** To obtain warranty service, a customer must deliver the product, prepaid, to Electro-Voice Service or any of its authorized service representatives together with proof of purchase of the product in the form of a bill of sale or receipted invoice. A

list of authorized service representatives is available from Electro-Voice Service at 600 Cecil Street, Buchanan, MI 49107 (800/234-6831 or FAX 616/695-4743). **Incidental and Consequential Damages Excluded:** Product repair or replacement and return to the customer are the only remedies provided to the customer. Electro-Voice shall not be liable for any incidental or consequential damages including, without limitation, injury to persons or property or loss of use. Some states do not allow the exclusion or limitation of incidental or consequential damages so the above limitation or exclusion may not apply to you. **Other Rights:** This warranty gives you specific legal rights, and you may also have other rights which vary from state to state.

Electro-Voice Accessories are guaranteed against malfunction due to defects in materials or workmanship for a period of one (1) year from the date of original purchase. Additional details are included in the Uniform Limited Warranty statement.

For warranty repair, service information, or a listing of the repair facilities nearest you, contact the service repair department at: 616/695-6831 or 800/685-2606.

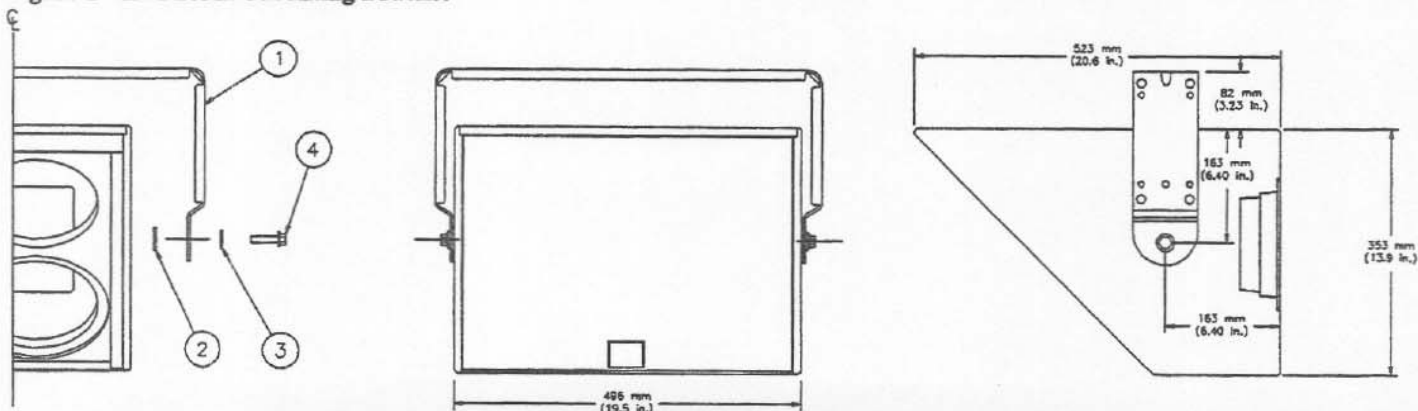
For technical assistance, contact Technical Support at 800/234-6831 or 616/695-6831, M-F, 8:00 a.m. to 5:00 p.m. Eastern Standard time.

Specifications subject to change without notice.

Table 1—EVI-28MB Parts List

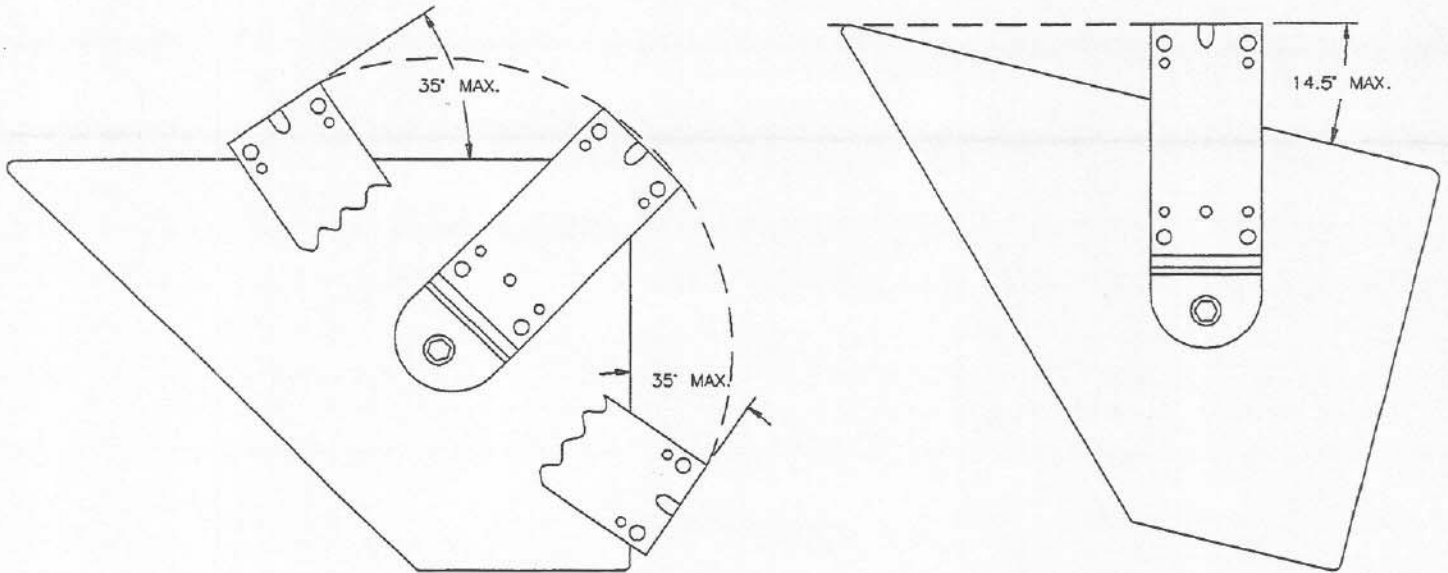
Item	Description	Quantity	Part Number
1	U-Bracket (black)	1	73754-JF
1	U-Bracket (white)	1	73754-JU
2	Friction pads	2	38020
3	Washers	2	4053-AP
4	3/8-16 bolts (from enclosure)	N/A	N/A

Figure 1—EVI-28MB Mounting Bracket



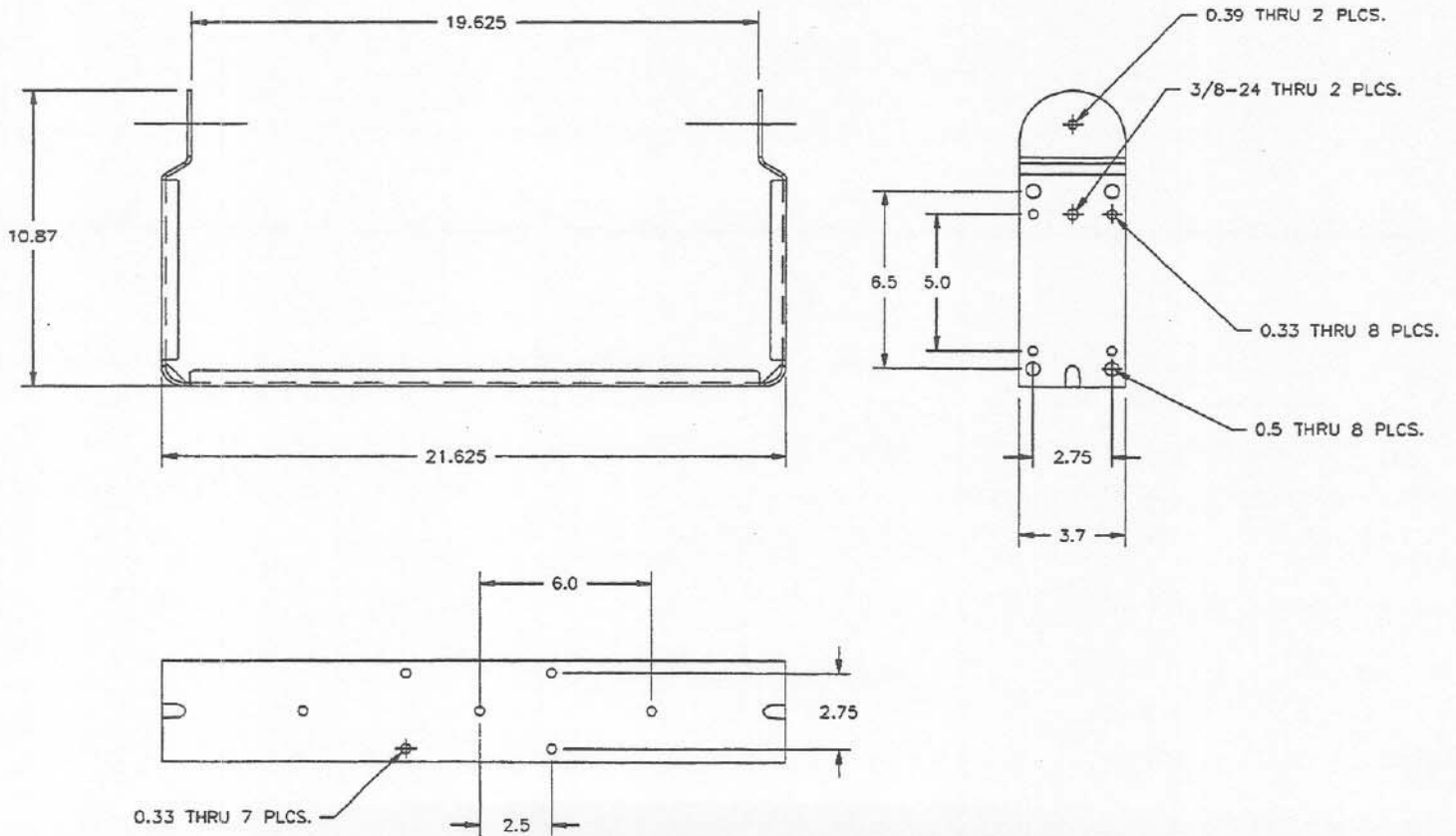
EVI-28MB Installation Kit

Figure 2—EVI-28MB Mounting Bracket



EVI-28MB Installation Kit

Figure 3—EVI-28MB Mounting Bracket



EVI-28MB Installation Kit

Specifications

Wall Mounting Holes:

Three 0.33-in. mounting holes for 5/16-in. bolts on 6.0-in. centers; OmniMount™ 100 series mounting patterns on left, right and back of bracket.

Enclosure Mounting Holes:

Two 19-mm (0.39-in.) diameter holes, left and right

Material:

10-gauge cold-rolled steel

Finish:

Black or white wrinkle powder coat

Net Weight:

3.4 kg (7.5 lb)

Shipping Weight:

3.8 kg (8.5 lb)

EVI-28MB Installation Kit

Electro-Voice®

600 Cecil Street, Buchanan, MI 49107

800/234-6831, 616/695-6831, 616/695-1304 Fax

©Telex Communications, Inc., 1998 • Litho in U.S.A.